

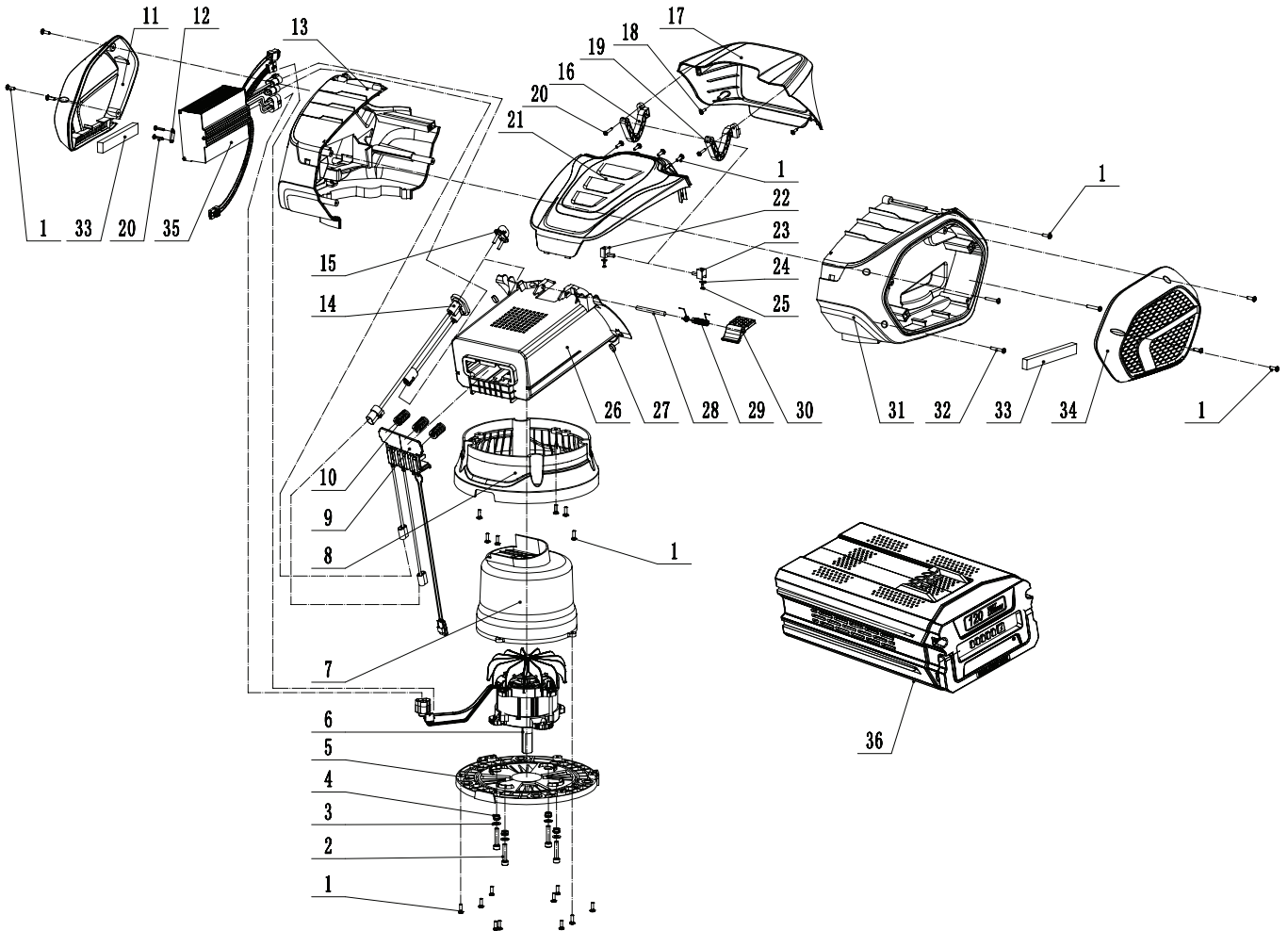
CAIMAN

Газонокосилка аккумуляторная **NERO 52CTi**



CAIMAN

Engine



N°	Description	Part Number	Qty (UOM)
1	Screw - M4*14	U50I-00001	27
2	Bolt - M6*30	U50I-00002	4
3	Flat washer - M6	U455-00054	4
4	Nut - M6	U455-00013	4
5	Motor base	U50I-00003	1
6	Motor	U50I-00004	1
7	Wind shield	U50I-00005	1
8	Motor barrel	U50I-00006	1
9	Battery lead plate	U50I-00007	1
10	Battery pressure spring	U50I-00008	3
11	Left cover	U50I-00009	1
12	Cable Bracket	U50I-00010	1

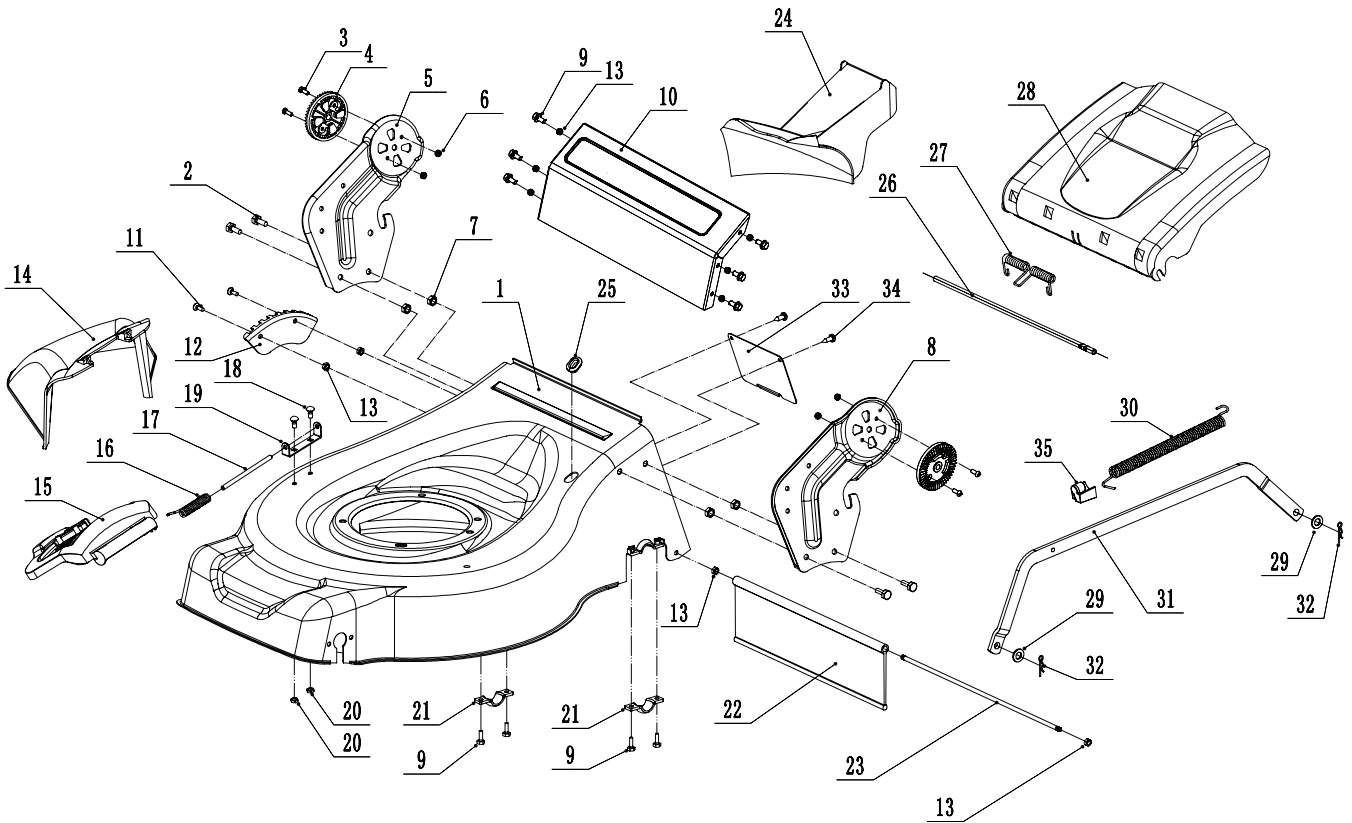
CAIMAN

Engine

N°	Description	Part Number	Qty (UOM)
13	Left shell	U50I-00011	1
14	Electrified base assembly	U50I-00012	1
15	Key	U50I-00013	1
16	Battery cover flip piece B	U50I-00014	1
17	Battery cover	U50I-00015	1
18	Screw - M4*6	U50I-00016	2
19	Battery cover flip piece A	U50I-00017	1
20	Screw - M3.5*15	U50I-00018	4
21	Upper cover	U50I-00019	1
22	The central axis B	U50I-00020	1
23	The central axis A	U50I-00021	1
24	Flat washer - M6	UV160-00036	2
25	Screw - M2.5*6	U50I-00022	2
26	Battery compartment	U50I-00023	1
27	Magnet - M12*5	U50I-00024	2
28	Battery buckle shaft	U50I-00025	1
29	Battery buckle torsion spring	U50I-00026	1
30	Battery buckle	U50I-00027	1
31	Right shell	U50I-00028	1
32	Screw - M4*26	U50I-00029	3
33	Filter sponge	U50I-00030	2
34	Right cover	U50I-00031	1
35	Controller	U50I-00032	1
36	Battery	U50I-00033	1

CAIMAN

Main Body



N°	Description	Part Number	Qty (UOM)
1	Chassis	U52I-00001	1
2	Bolt - M8x16	U455-00002	4
3	Screw - M5x12	U455-00003	4
4	Tooth Disc	U455-00004	2
5	AVS Bracket - R/H	U455-00005	1
6	Lock Nut - M5	U455-00006	4
7	Lock Nut - M8	U455-00007	4
8	AVS Bracket - L/H	U455-00008	1
9	Bolt - M6x12	U455-00009	10
10	Connector	U456-00057	1
11	Screw - M6x16	U455-00011	2
12	Graduator	U47TI-00003	1
13	Lock Nut - M6	U455-00013	10
14	Side Discharge Deflector	U506-00003	1
15	Side Discharge Cover Kit	U506-00004	1

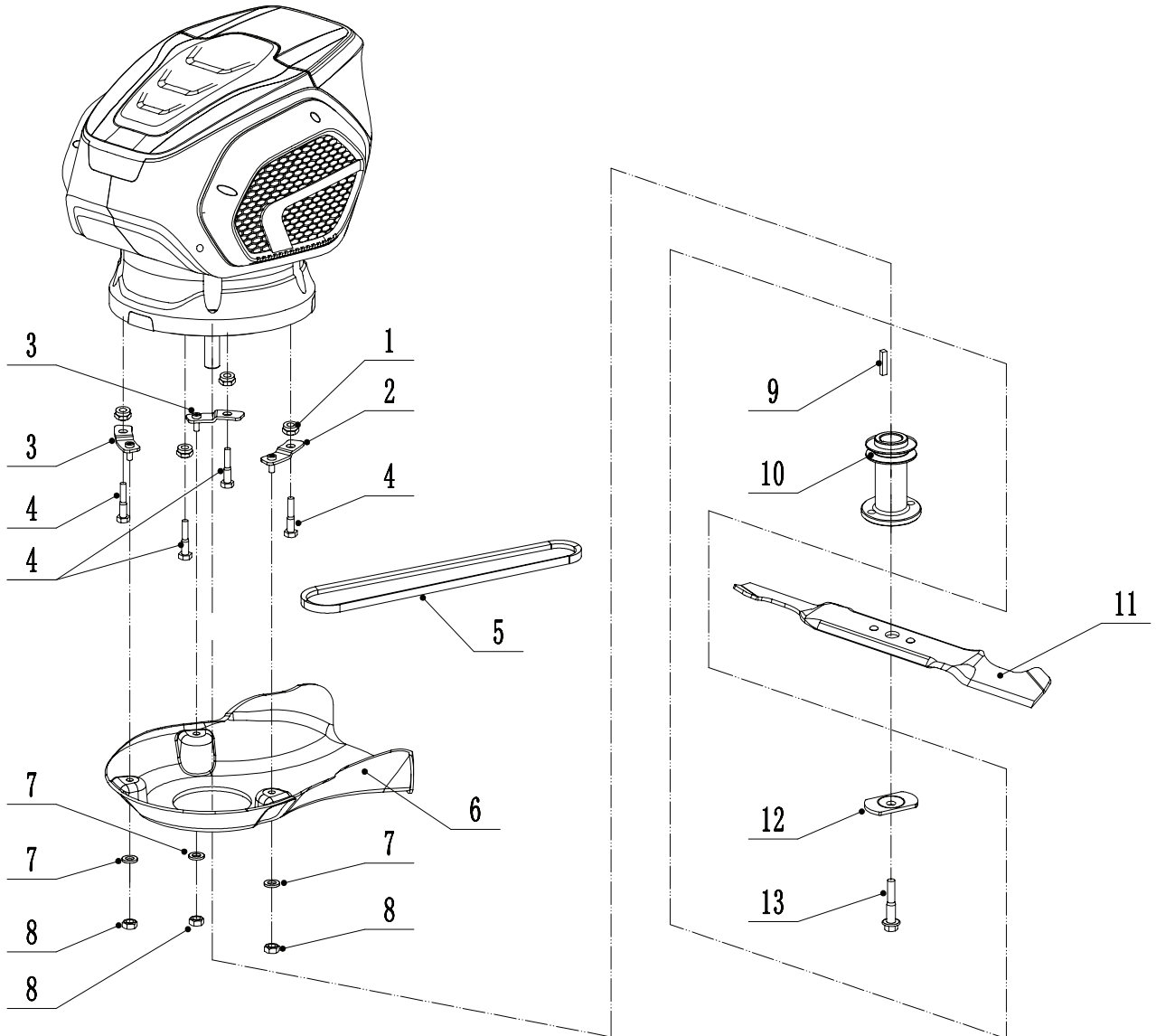
CAIMAN

Main Body

N°	Description	Part Number	Qty (UOM)
16	Side Discharge Cover Pivot	U455-00016	1
17	Side Discharge Cover Spring	U455-00017	1
18	Bolt	U455-00018	2
19	Side Discharge Cover Bracket	U455-00019	1
20	Lock Nut - M6	U455-00020	2
21	Upper Bearing Bracket	U455-00021	2
22	Trailing Flap	U521-00002	1
23	Pivot - Trailing Flap	U521-00003	1
24	Mulching Plug	U521-00004	1
25	Rubber Ring	U537-00082	1
26	Pivot - Rear Cover	U506-00008	1
27	Spring - Rear Cover	U455-00027	1
28	Rear Cover	U506-00009	1
29	Plain Washer - M10	U455-00029	2
30	Spring - Connecting Rod	U455-00030	1
31	Connecting Rod	U521-00005	1
32	Spring Clip	U455-00032	2
33	Baffle	U455-00033	1
34	Screw - ST4.2x9.5	U455-00034	2
35	Spring Bracket	U455-00035	1

CAIMAN

Blade System



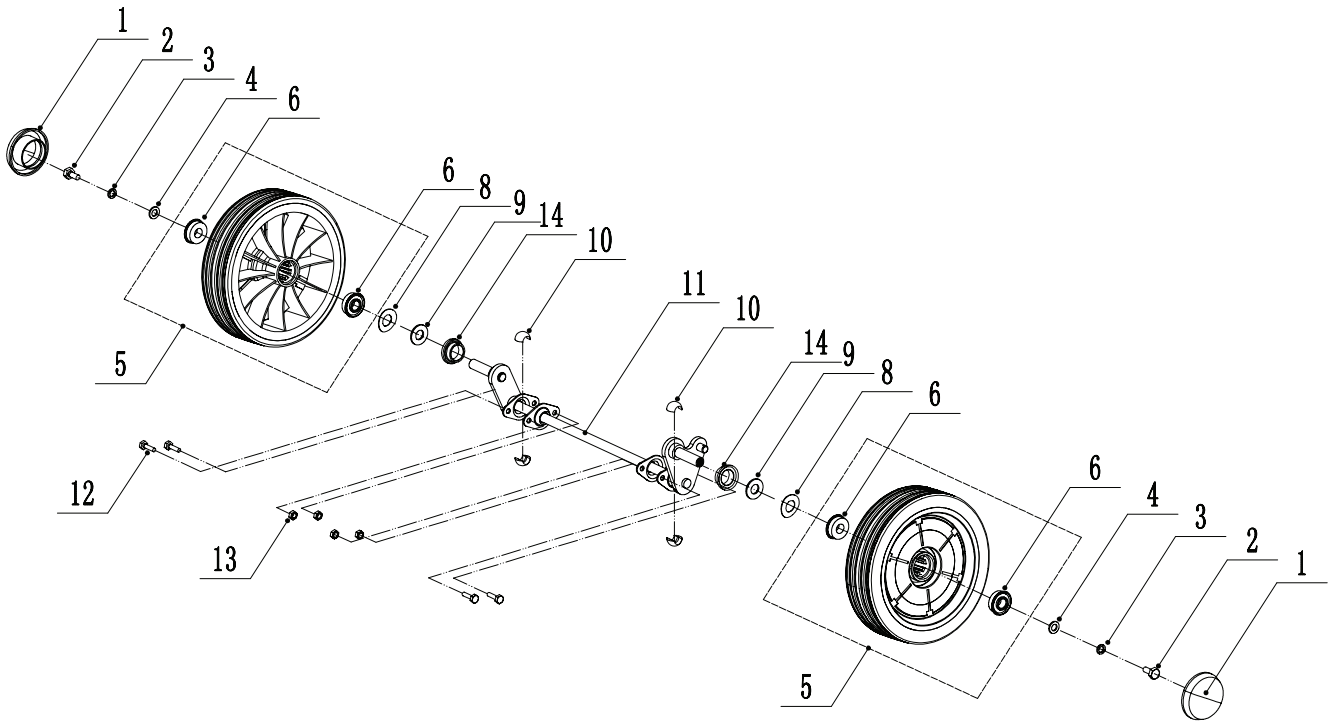
CAIMAN

Blade System

N°	Description	Part Number	Qty (UOM)
1	Hexagon lock nut with non-metal insert, M10	UZT85-00002	4
2	Engine Washer 1	U455-00036	1
3	Engine Washer 2	U455-00037	2
4	Hexagon flange bolt M10x40	U47TI-00007	4
5	Belt - V10x805	U456-00071	1
6	Belt Shield	U506-00014	1
7	Plain Washer - M6	U455-00044	3
8	Lock Nut - M6	U455-00013	3
9	Key 5x5x22	U50I-00036	1
10	Blade Boss	U47TI-00009	1
11	Blade	U47TI-00009	1
12	Spring Washer	U456-00038	1
13	Blade Bolt	U47TI-00011	1

CAIMAN

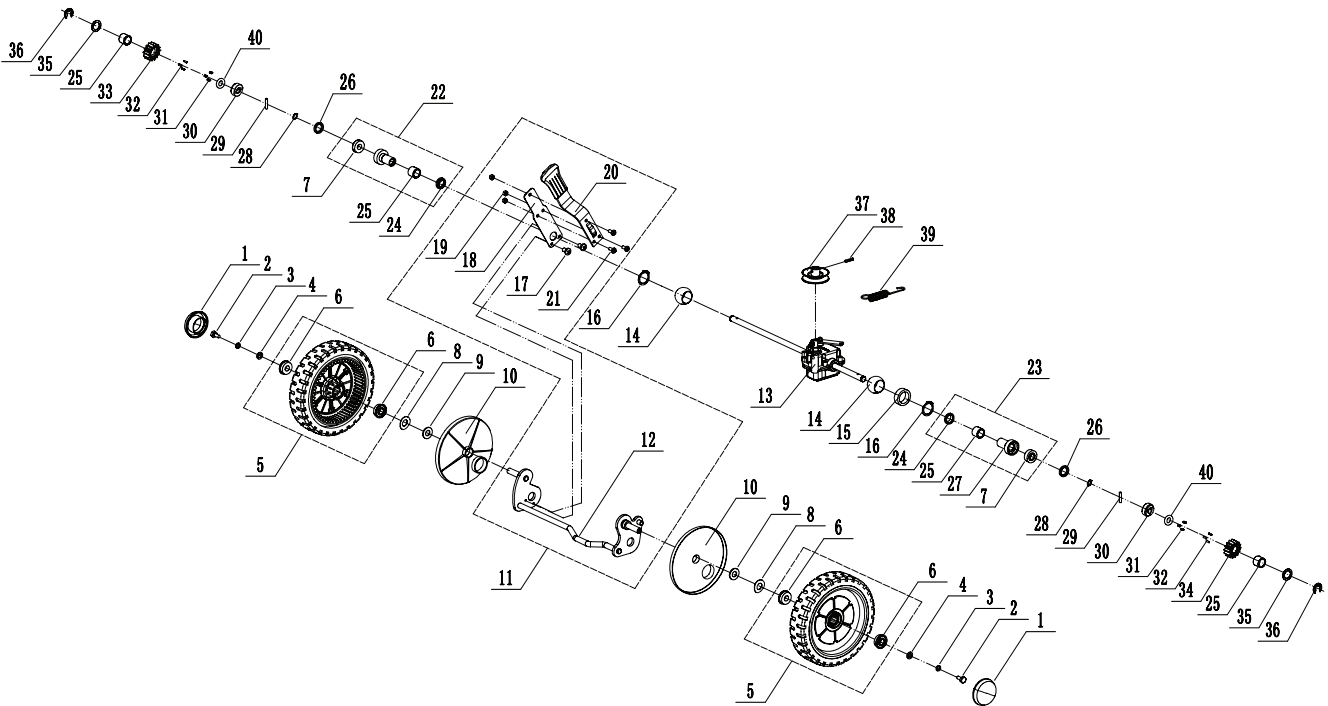
Front axle



N°	Description	Part Number	Qty (UOM)
1	Wheel Cap	U466-00012	2
2	Bolt - M8x15	U455-00052	2
3	Spring Washer - M8	U455-00053	2
4	Washer - M8	U455-00061	2
5	Wheel	U47PI-00005	2
6	Bearing	U455-00056	4
8	Spacer - M12.7	U455-00057	2
9	Plain Washer - M12.7	U455-00058	2
10	Spherical Bearing	U455-00059	4
11	Front Axle	U506-00017	1
12	Bolt - M6x12	U455-00009	4
13	Lock Nut - M6	U455-00013	4
14	Waterproof ring	U521-00007	2

CAIMAN

Rear axle



N°	Description	Part Number	Qty (UOM)
1	Wheel Cap	U466-00012	2
2	Bolt - M8x15	U455-00052	2
3	Spring Washer - M8	U455-00053	2
4	Washer - M8	U455-00061	2
5	9" polyurethane wheel	U455-00062/2	2
6	Bearing	U455-00056	4
7	Bearing	U456-00006	2
8	Spring Washer - M12.7	U455-00057	2
9	Plain Washer - M12.7	U455-00058	2
10	Rear Wheel Shield	U455-00063	2
12	Rear Axle Frame	U506-00018	1
13	Rear Transmission Assembly	U521-00008	1
14	Nylon Ball Bearing	U455-00066	2
15	Rear Axle Partition	U455-00067	1
16	Circlip - M20	U455-00068	2
17	Screw - M5x8	U456-00007	2
18	Spring Of Adjustment Lever	U47TI-00014	1

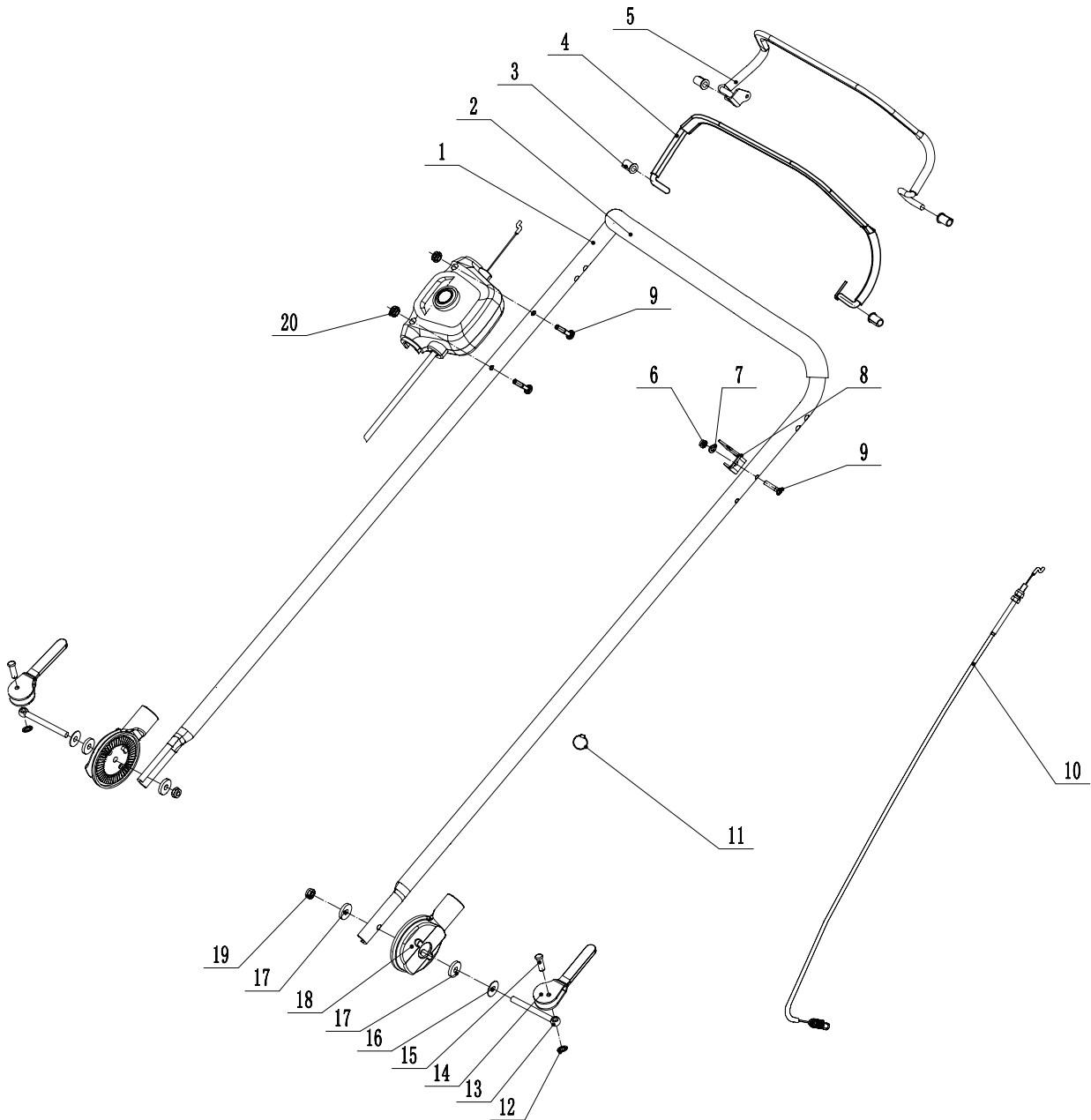
CAIMAN

Rear axle

N°	Description	Part Number	Qty (UOM)
19	Lock Nut - M6	U455-00013	3
20	Adjustment Lever	U47TI-00015	1
21	Bolt - M6x14	U456-00008	3
22	Reft Bearing Sheath Assembly	U455-00073	1
23	Light Bearing Sheath Assembly	U455-00074	1
24	Dustproof Ring	U455-00075	2
25	Bearing	U455-00076	4
26	Spacer	U456-00009	2
28	Circlip - M12	U455-00077	2
29	Pin For Ratchet	U455-00078	2
30	Ratchet	U455-00079	2
31	Spring	U455-00080	6
32	Pin	U455-00081	6
33	Right Drive Pinion	U455-00082	1
34	Left Drive Pinion	U455-00083	1
35	Washer	U455-00084	2
36	E-Clip - M9	U455-00085	2
37	Gearbox pulley	U455-00086	1
38	Spring Pin - 5x20	U455-00087	2
39	Gearbox Spring	U455-00088	1
40	O-Ring	U455-00089	2

CAIMAN

Handle And Controls



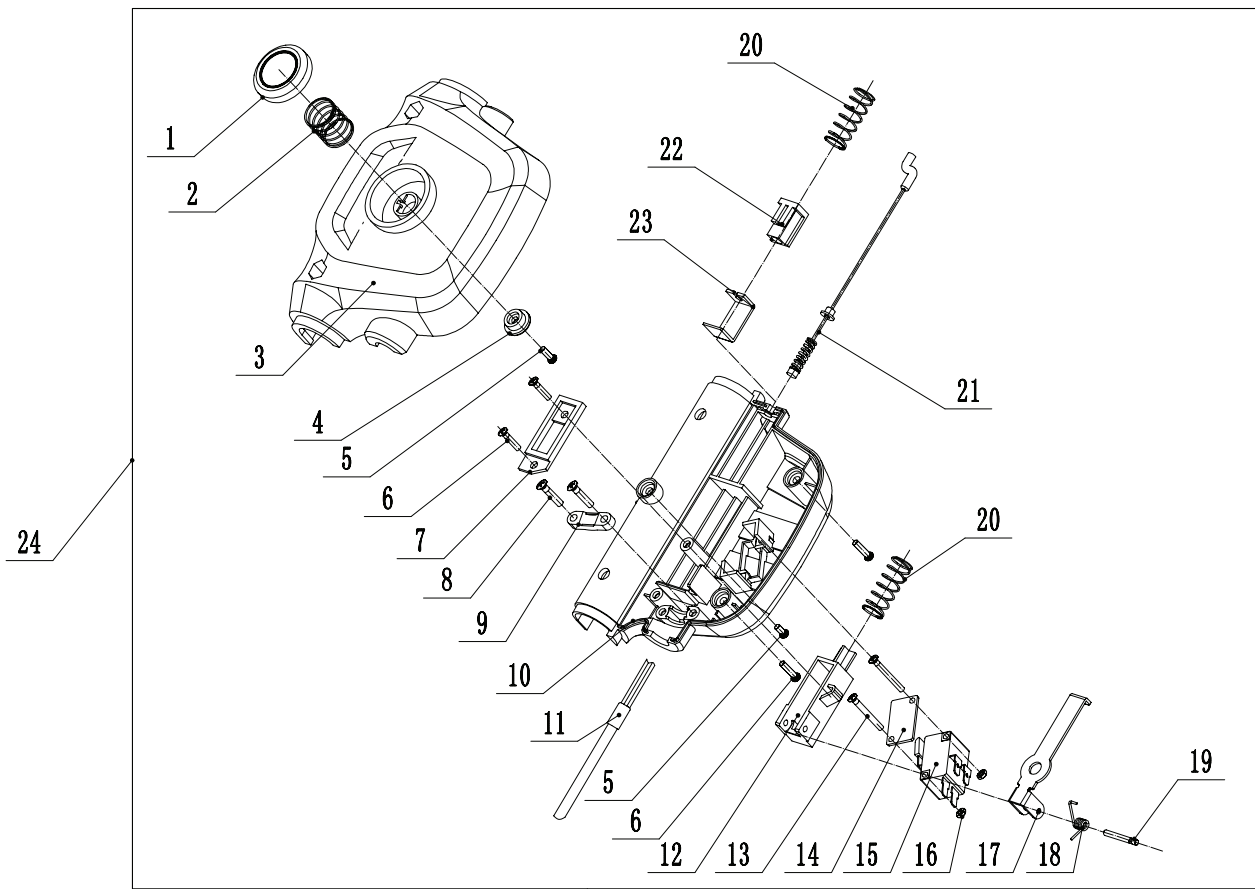
CAIMAN

Handle And Controls

N°	Description	Part Number	Qty (UOM)
1	Handle	U52I-00009	1
2	Handle Sheath	U456-00011	1
3	Handle Sleeve	U50I-00041	4
4	Clutch Lever	U52I-00010	1
5	OPC Lever	U52I-00011	1
6	Lock Nut - M6	U455-00013	1
7	Washer - M6	U455-00054	1
8	Bracket	U455-00094	1
9	Screw - M6x40	U455-00095	3
10	Clutch Cable	U506-00040	1
11	Cable tie	U456-00012	1
12	Fix Cap	U455-00100	2
13	Connecting Bolt	U455-00101	2
14	Lock Lever	U455-00102	2
15	Axis Pin - 8x25	U455-00120	2
16	Spacer	U455-00104	2
17	Spacer	U455-00105	4
18	Tooth Disc Kit	U455-00106	2
19	Lock Nut-M8	UAE55-00062	2
20	Cap nut - coarse thread M6	U50I-00045	2

CAIMAN

Switch box



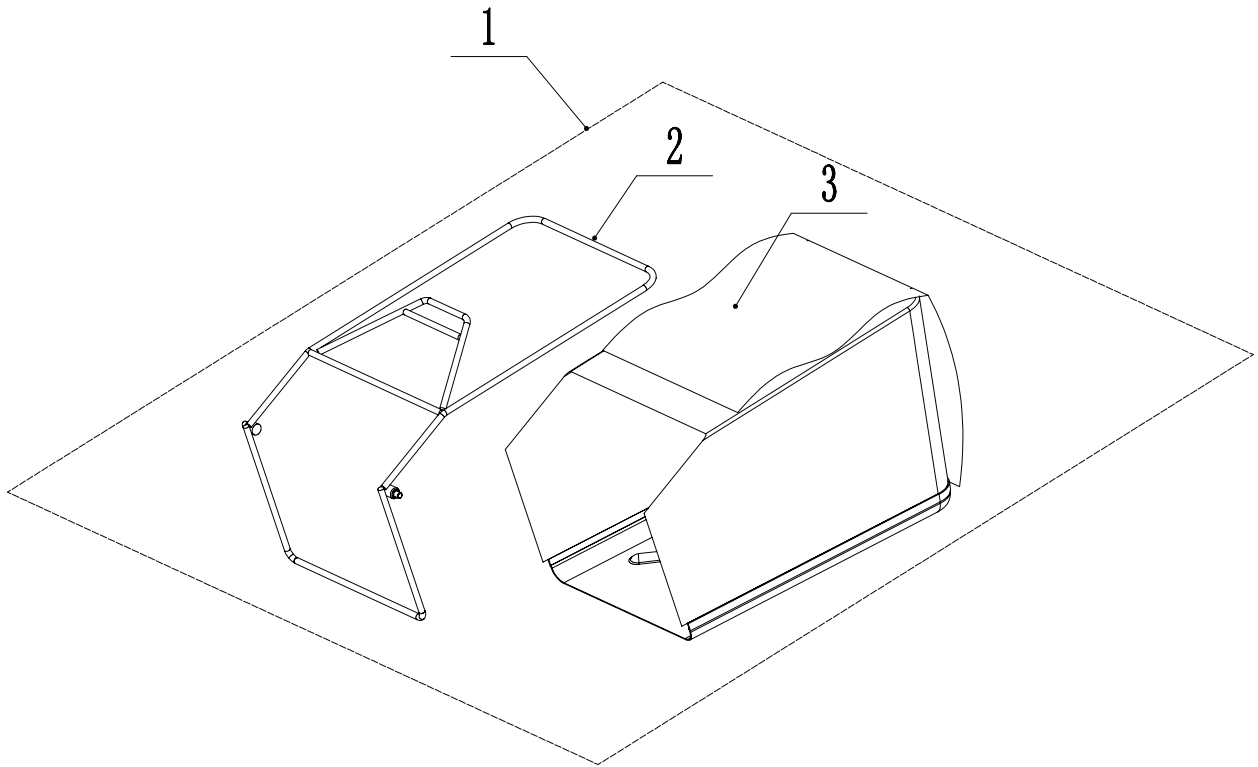
CAIMAN

Switch box

N°	Description	Part Number	Qty (UOM)
1	Switch button	U50I-00046	1
2	Spring1	U50I-00047	1
3	Upper cover	U50I-00048	1
4	Pressure sleeve	U50I-00049	1
5	Screw - PT3*12	U50I-00050	1
6	Screw - PT3*16	UR810-00051	4
7	Limit block	U50I-00051	1
8	Screw - PT3.5*15	U50I-00018	2
9	Pressing block	U50I-00010	1
10	Lower cover	U50I-00054	1
11	Wire harness	U50I-00055	1
12	Trigger block	U50I-00056	1
13	Screw - M3*28	U50I-00057	2
14	Pressure plate	ZT107-0104	1
15	Micro Switch	U50I-00058	1
16	Bolt - M3	UR200-00079	2
17	Crook 1	U50I-00059	1
18	Spring	U50I-00060	1
19	Pin	U50I-00061	1
20	Spring2	U50I-00062	2
21	Cable	U50I-00063	1
22	Spring block	U50I-00064	1
23	Crook 2	U50I-00065	1
24	Switch box	U50I-00066	1

CAIMAN

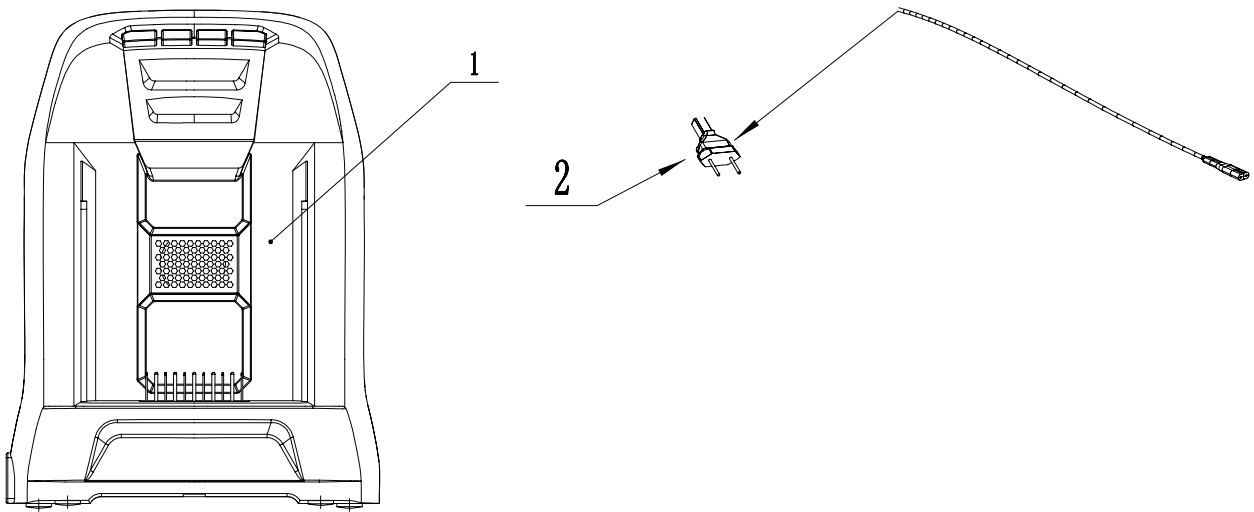
Grasscatcher



N°	Description	Part Number	Qty (UOM)
1	Grass Bag Frame	U506-00050	1
2	Grass Bag	U456-00060	1

CAIMAN

Grasscatcher



N°	Description	Part Number	Qty (UOM)
1	Charging pile	UNC-00001	1
2	European standard charging cable	UR760-00169	1